

## **USER MANUAL**



## **MANUAL RADIATOR VALVES**

Thank you for choosing Buy It Direct.  
Please read this user manual before using this  
valve and keep it safe for future reference.

# CONTENTS

SAFETY WARNINGS	3
PRODUCT OVERVIEW	3
INSTALLATION	4
OPERATION	5
CLEANING AND MAINTENANCE	5
SUPPORT	6

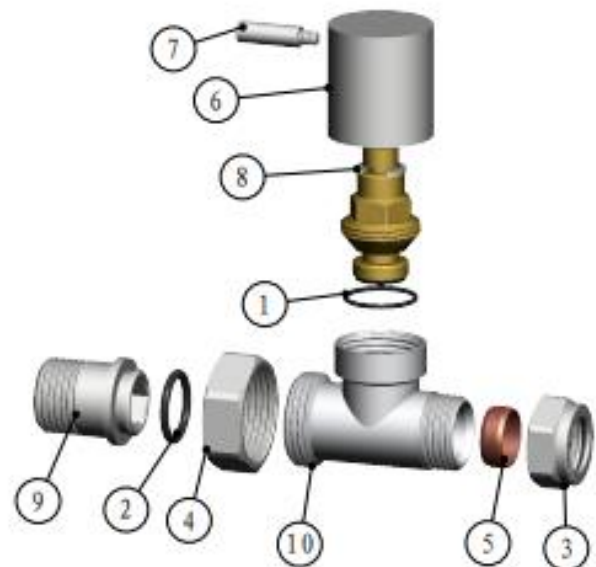
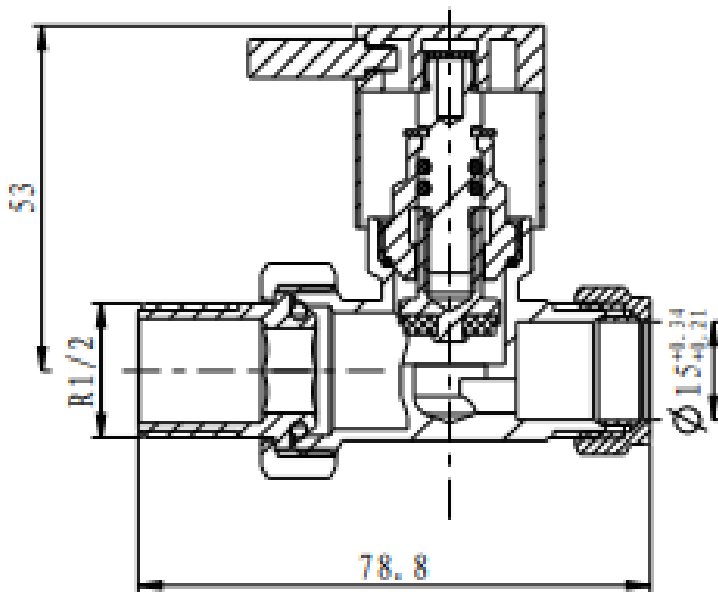
## SAFETY WARNINGS

For your continued safety, please follow all the safety precautions listed below:

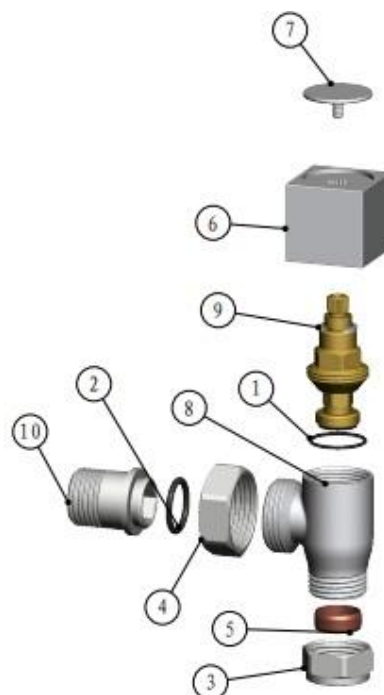
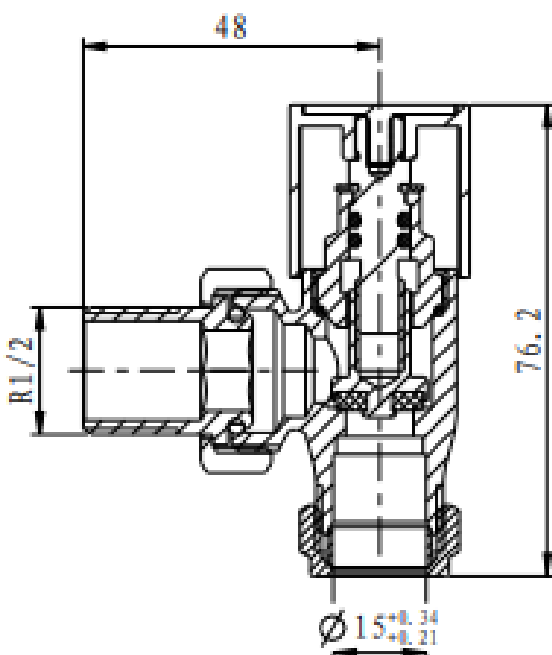
- This device is designed for residential use.
- Keep small parts and packaging out of reach of children to avoid choking hazards.
- Dispose of packaging and keep safe any extra parts, to ensure children and pets do not swallow them.
- Do not place the device near open flames or direct sunlight.
- Do not expose the device to open flames or other ignition sources.
- Take care when the heating is on as the connections will be hot to the touch.
- Install the device securely according to the manual.

## PRODUCT OVERVIEW

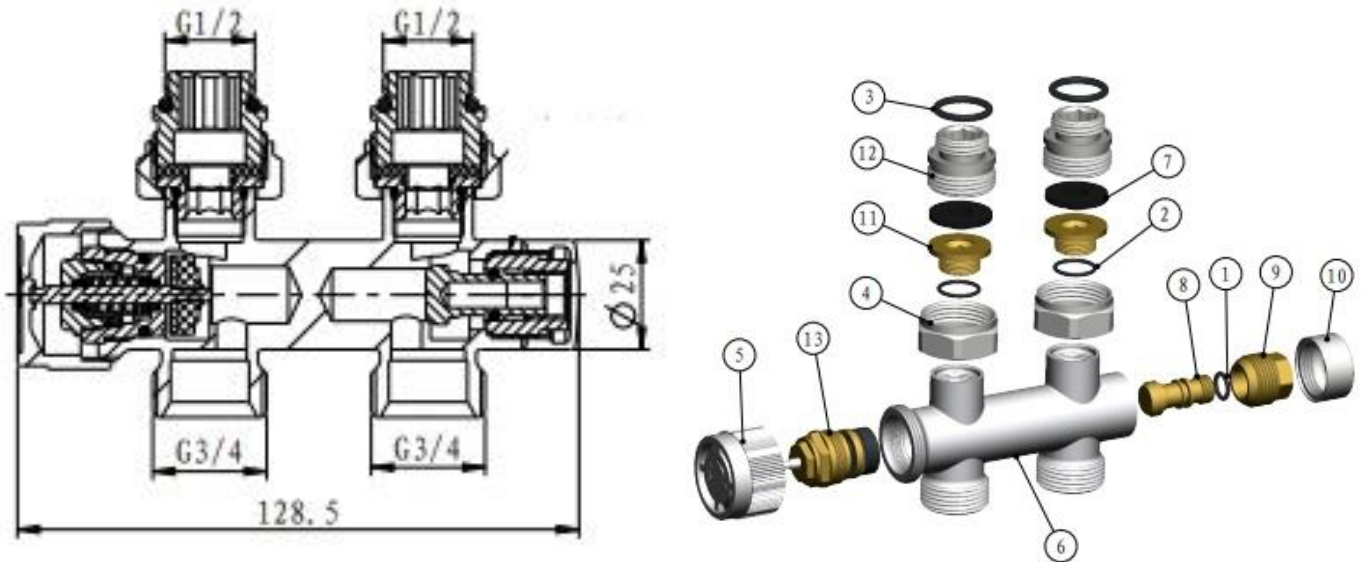
### STRAIGHT VALVE



### ANGLED VALVE



## H-BLOCK VALVE



### BEFORE INSTALLING

- Improper installation may result in device malfunction or damage to your radiator system.
- If you are uncertain about installation or valve compatibility, consult a qualified technician.
- Do not apply excessive force to the knob or other components.
- Avoid dropping the device, which may result in internal damage.

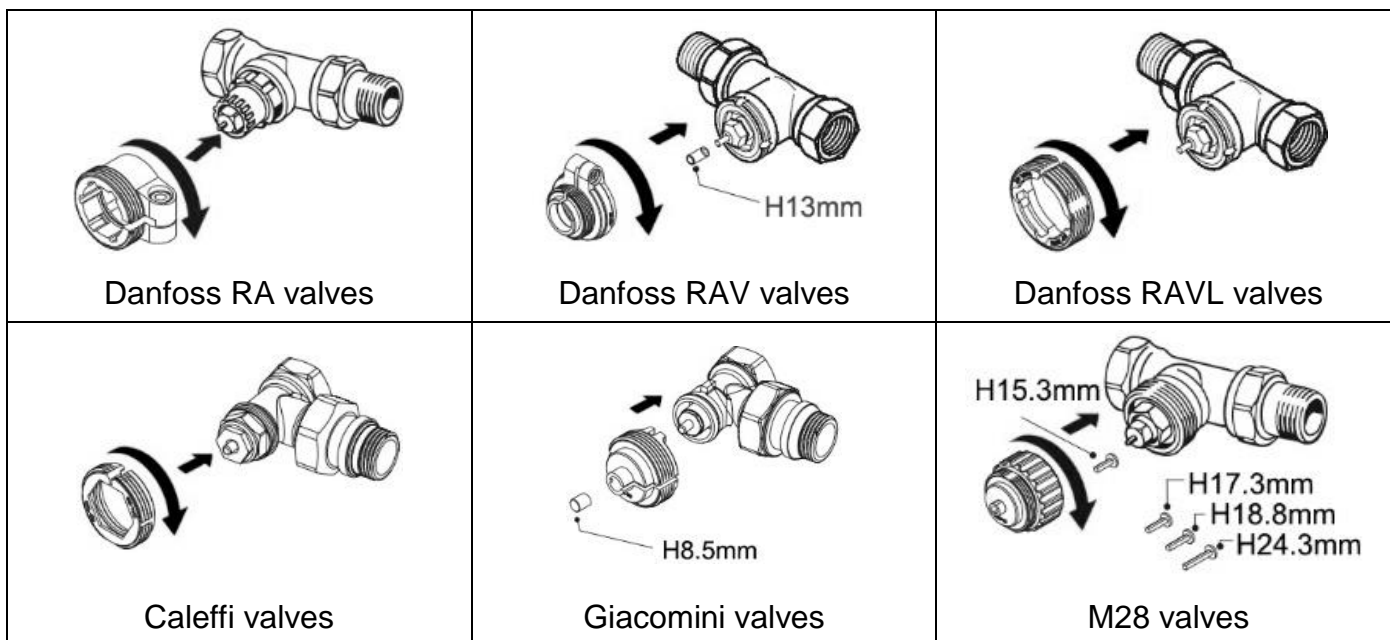
### INSTALLATION

- Please ensure a competent or qualified professional installs the radiator and does any required pipework connections.
- Turn the water off from the main valve.
- Bleed the radiator system to ensure no debris will flow into the radiator.
- Connect the valve to the radiator. These valves are bi-directional, meaning each valve can be installed on either side of the radiator.
- Use PTFE tape on the Male connection threads. First, twist the tape into a smaller string and wrap it around the threads. Then, wrap a final flat piece of PTFE tape over this. A sealant could also be used at the professional's discretion.
- Turn the water back on from the main valve.
- Re-pressurise the system, leaving the air vent open on the new radiator to ensure it fills with water. Check for leaks.

### VALVE ADAPTER INSTALLATION (PARTS NOT SUPPLIED)

If your connector type is not M30 x 1.5, you will need to mount the adapter on the valve. Adapter sets and their corresponding installation can be found in the diagrams below:

You will need to purchase these adapters if you need them. They are not included with the valve.



## OPERATION

The valve allows you to control the temperature of each individual room in your home. Simply twist the top of the valve either increasing or decreasing (marked with a + and -) the temperature, to your desired temperature.

Always ensure your boiler set temp is higher than the temperature you are setting on the valve.

## CLEANING AND MAINTENANCE

**IMPORTANT:** Turn off the radiator before cleaning the valve.

- Use a dry or slightly damp cloth to clean the exterior. Do not use abrasive materials or solvents or immerse the device in water.
- Periodically check for signs of damage or wear. Replace the device if its performance is compromised.
- Do not clean the unit by spraying it or immersing it in water.
- Remove the batteries when not in use as this can prevent leakages and prolong battery life.

## TECHNICAL SPECIFICATION

Maximum working pressure	10bar
Permissible differential pressure	1bar
Maximum fluid temperature	110°C
Temperature lag	27min±7min
Flow: Angled	0.100-0.130m <sup>3</sup> /h
Flow: Straight	0.100-0.130m <sup>3</sup> /h
Flow: H-Block	0.100-0.130m <sup>3</sup> /h

## UK SUPPORT

Email: [customersupport@buyitdirect.co.uk](mailto:customersupport@buyitdirect.co.uk)  
Call: 0330 041 2271 or complete the online form  
Office hours: 9 AM - 5 PM, Monday to Friday

Unit 2A, Trident Business Park,  
Neptune Way, Leeds Road,  
Huddersfield, HD2 1UA.